

# Global Manufacturing Strut Accessories - Z Angle 3 Holes

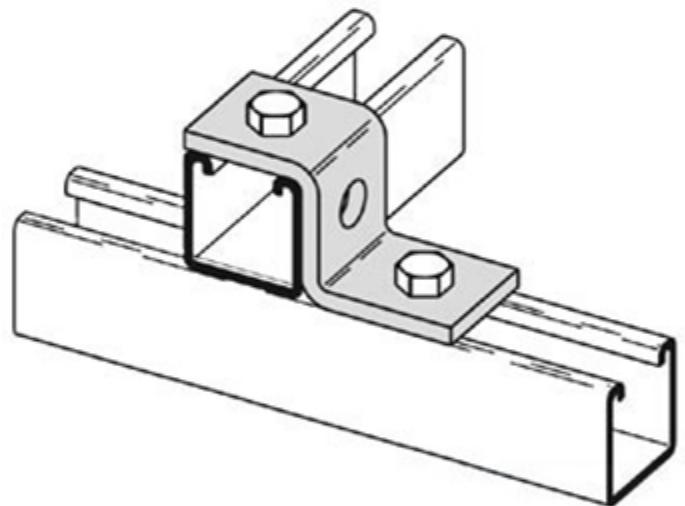


## Features

Our Global Manufacturing Duplex Corner Angle connectors are designed to marry intersecting metal framing channels by connection over the top of the piece in a Z shape. They are made with 12-Gauge metal for strength/reinforcement and are electro-galvanized for added durability. This particular connector is sized at 3-1/2" x 1-5/8" and features 3 holes for support.

## Sizing and Features

Product	Size	Product Description	Box Qty.
G322	3-1/2" x 1-5/8"	Z Angle - 3 Holes	50



- Steel
- Electro-Galvanized
- Extreme Durability
- High Impact Resistant
- Used to connect strut at an angle

