

Global Manufacturing Strut Accessories - Gold Corner Angle 5 Holes

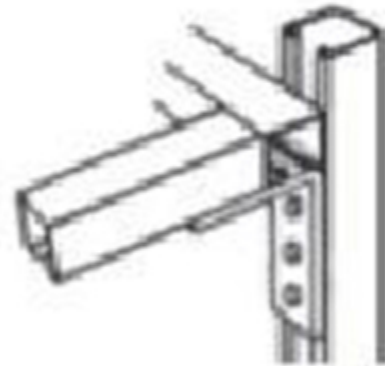


Features

Our Global Manufacturing Corner Angle Shelf connectors are designed to marry two intersecting metal framing channels at a 90 degree angle. They are made with 12-Gauge metal for strength/reinforcement and are electro-galvanized for added durability. This particular connector is sized at 4-1/8" x 3-1/2" and features 5 holes for support.

Sizing and Features

| Product | Size | Product Description | Box Qty. |
|---------|-----------------|--------------------------------|----------|
| GB917 | 4-1/8" x 3-1/2" | Gold Angle Connector - 5 holes | 50 |



- Steel
- Gold-Plated
- Electro-Galvanized
- Extreme Durability
- High Impact Resistant
- Used to connect strut at an angle

