

# Global Manufacturing Strut Accessories - Rigid Conduit Clamp

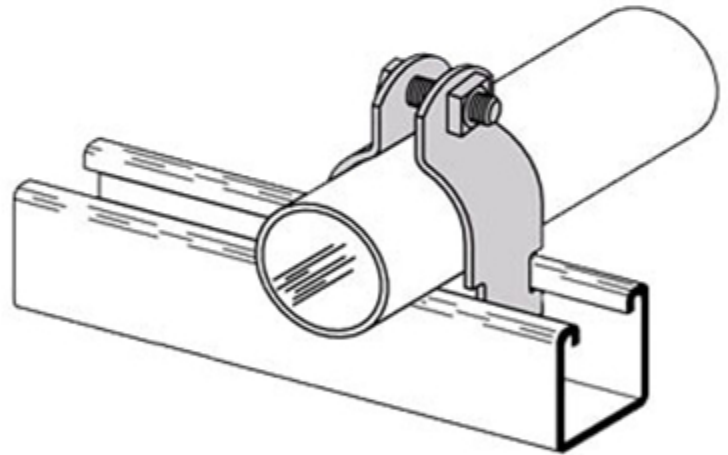


## Features

Our Global Manufacturing Conduit Clamps are designed in order to secure an intersecting pipe with a nearby channel bar. They are made with 12-Gauge metal for strength/reinforcement and are electro-galvanized for added durability. This particular connector is offered at varying sizes from 1/2" - 6".

## Sizing and Features

Product	Size	Product Description	Box Qty.
GC112-050	1/2"	Rigid Galvanized Conduit Clamp	100
GC112-050YZ	1/2"	Rigid Gold Conduit Clamp	100
GC112-075	3/4"	Rigid Galvanized Conduit Clamp	100
GC112-075YZ	3/4"	Rigid Gold Conduit Clamp	100
GC112-100	1"	Rigid Galvanized Conduit Clamp	100
GC112-100YZ	1"	Rigid Gold Conduit Clamp	100
GC112-125	1-1/4"	Rigid Galvanized Conduit Clamp	100
GC112-125YZ	1-1/4"	Rigid Gold Conduit Clamp	100
GC112-150	1-1/2"	Rigid Galvanized Conduit Clamp	50
GC112-150YZ	1-1/2"	Rigid Gold Conduit Clamp	50
GC112-200	2"	Rigid Galvanized Conduit Clamp	50
GC112-200YZ	2"	Rigid Gold Conduit Clamp	50
GC112-250	2-1/2"	Rigid Galvanized Conduit Clamp	50
GC112-250YZ	2-1/2"	Rigid Gold Conduit Clamp	50
GC112-300	3"	Rigid Galvanized Conduit Clamp	50
GC112-300YZ	3"	Rigid Gold Conduit Clamp	50
GC112-350	3-1/2"	Rigid Galvanized Conduit Clamp	25
GC112-350YZ	3-1/2"	Rigid Gold Conduit Clamp	25
GC112-400	4"	Rigid Galvanized Conduit Clamp	25
GC112-400YZ	4"	Rigid Gold Conduit Clamp	25
GC112-500	5"	Rigid Galvanized Conduit Clamp	100
GC112-500YZ	5"	Rigid Gold Conduit Clamp	100
GC112-600	6"	Rigid Galvanized Conduit Clamp	100
GC112-600YZ	6"	Rigid Gold Conduit Clamp	100



- Steel
- Electro-Galvanized
- Extreme Durability
- High Impact Resistant
- Used to connect strut to an intersecting pipe

