

Global Manufacturing Strut Accessories - Open Angle Bracket 4 Holes

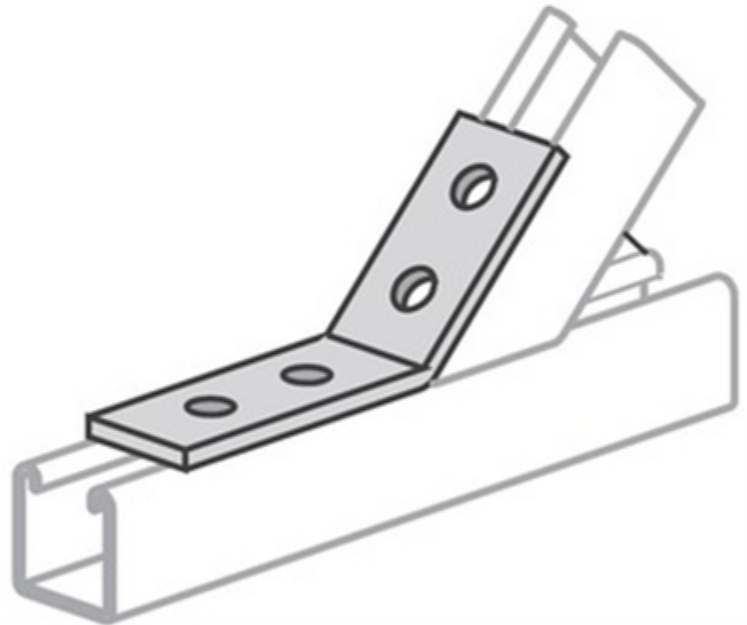


Features

Our Global Manufacturing Open Angle Bracket is designed to offer a single plated row of connections on the top of two intersecting channel bars, at an open angle. They are made with 12-Gauge metal for strength/reinforcement and are electro-galvanized for added durability. This particular connector is offered at varying degrees, from 15 - 82.5; featuring 4 holes for support.

Sizing and Features

Product	Size	Product Description	Box Qty.
G320-2	15°	Open Angle Bracket - 4 Holes	25
G320-3	22-1/2°	Open Angle Bracket - 4 Holes	25
G320-4	37-1/2°	Open Angle Bracket - 4 Holes	25
G320-5	45°	Open Angle Bracket - 4 Holes	25
G320-6	52-1/2°	Open Angle Bracket - 4 Holes	25
G320-7	60°	Open Angle Bracket - 4 Holes	25
G320-8	75°	Open Angle Bracket - 4 Holes	25
G320-9	82 1/2°	Open Angle Bracket - 4 Holes	25



- Steel
- Electro-Galvanized
- Extreme Durability
- High Impact Resistant
- Used to connect strut at an angle

