

# Global Manufacturing- Die Cast EMT Connector



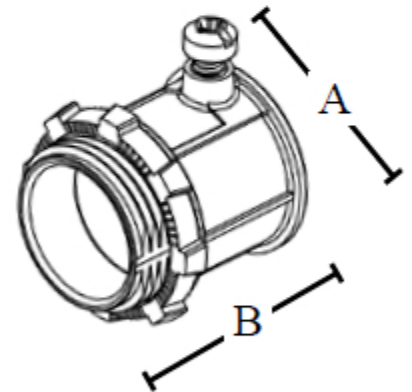
## Features

Our Global Manufacturing line of Die-Cast EMT Connectors are a great solution for any electrical conduit installation. This fitting allows you to connect flexible metal conduit to piping at various sizes. Global Manufacturing offers this fitting from 1/2" - 4".



## Sizing and Features

Product	Size	Product Description	Box Qty	Sizes	
				A	B
G-CONSS050	1/2"	EMT Conn., Set Screw DC (Die Cast)	50	.92	1.16
G-CONSS075	3/4"	EMT Conn., Set Screw DC (Die Cast)	25	1.20	1.28
G-CONSS100	1"	EMT Conn., Set Screw DC (Die Cast)	50	1.46	1.47
G-CONSS125	1 1/4"	EMT Conn., Set Screw DC (Die Cast)	25	1.77	1.86
G-CONSS150	1 1/2"	EMT Conn., Set Screw DC (Die Cast)	25	2.05	2.09
G-CONSS200	2"	EMT Conn., Set Screw DC (Die Cast)	20	2.56	2.38
G-CONSS250	2 1/2"	EMT Conn., Set Screw DC (Die Cast)	12	3.22	2.93
G-CONSS300	3"	EMT Conn., Set Screw DC (Die Cast)	12	3.92	2.96
G-CONSS350	3 1/2"	EMT Conn., Set Screw DC (Die Cast)	10	4.44	3.43
G-CONSS400	4"	EMT Conn., Set Screw DC (Die Cast)	6	4.96	3.60



- Zinc Die Cast
- Compression type Connector
- Concrete Tight
- Assembled with a die cast locknut
- UL Listed

