

# Global Manufacturing Strut Channel Nuts No Spring Galvanized

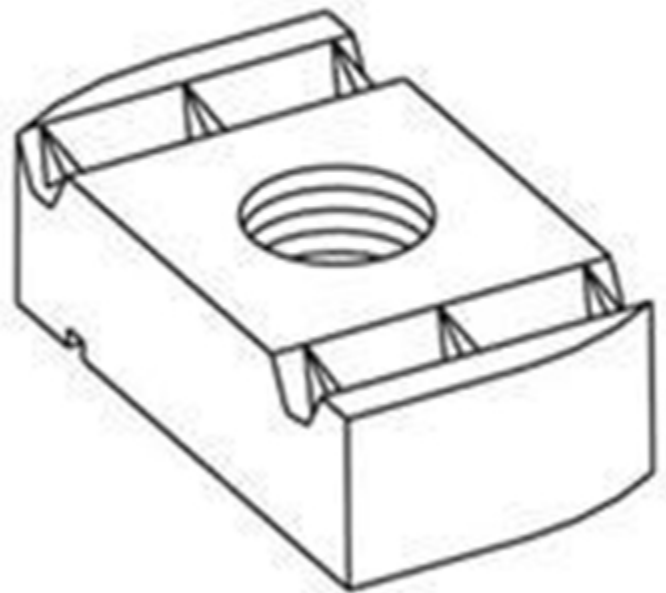


## Features

Our Global Manufacturing Strut Channel Nuts are designed to provide resistance to pull-out and side slip in excess of the full strength of the channels with which they are used. These nuts offer a silver electroplated finish and are designed for use with A and C series channels and inserts. Alternate teeth are spaced and designed to develop a wedging action that increases with pressure or load.

## Sizing and Features

Product	Size	Product Description	Box Qty.
GN-800	1/4" • 20"	No Spring Galvanized	100
GN-801	3/8" • 16"	No Spring Galvanized	100



- Steel
- Electro-Galvanized
- Extreme Durability
- High Impact Resistant
- Used to connect strut at an angle

