

Global Manufacturing Strut Accessories - Corner Connector 3 Holes



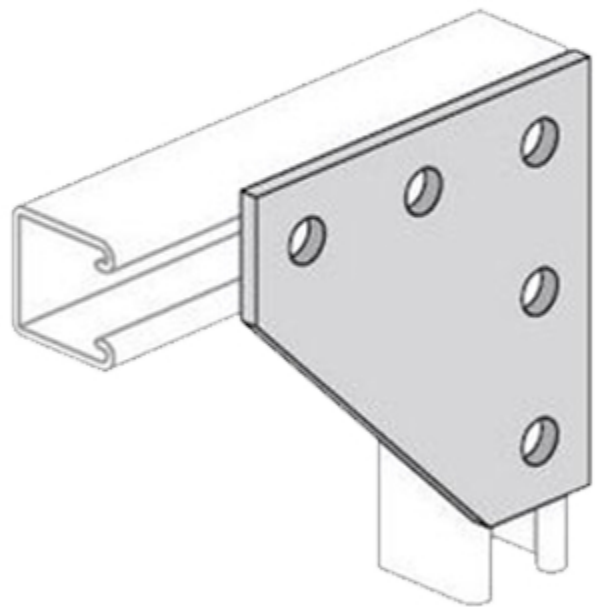
Features

Our Global Manufacturing Duplex Corner Angle connectors are designed to offer a single plated row of connections on the top of two intersecting channel bars, at a 90 Degree angle. They are made with 12-Gauge metal for strength/reinforcement and are electro-galvanized for added durability. This particular connector is offered at 3-1/2" x 3-1/2"; featuring 3 holes for support.

Sizing and Features

Product	Size	Product Description	Box Qty.
G211	3-1/2" x 3-1/2"	Corner Connector - 3 Holes	25

- Steel
- Electro-Galvanized
- Extreme Durability
- High Impact Resistant
- Used to connect strut at an angle



*5 Hole Version Pictured

